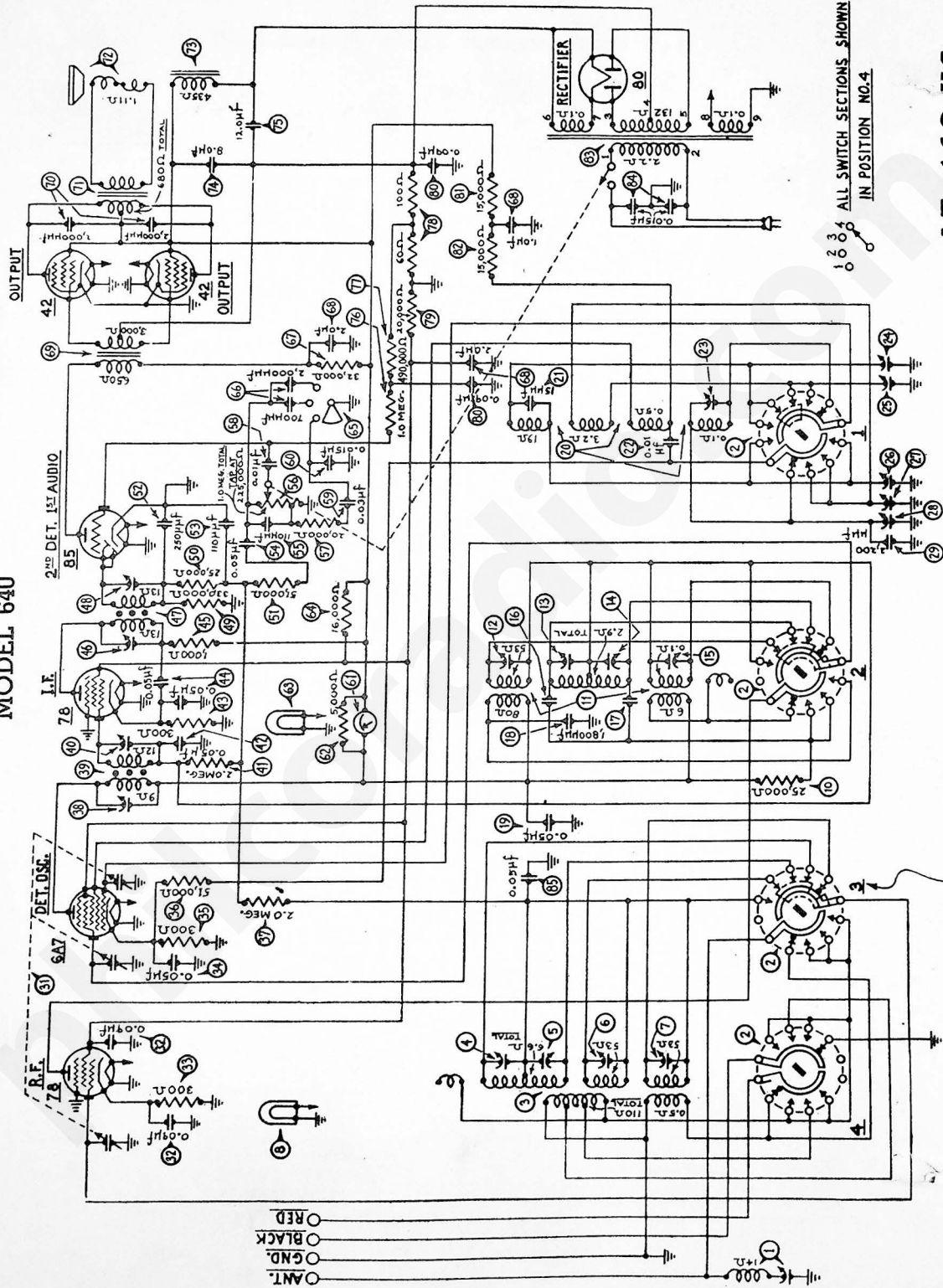


MODEL 640



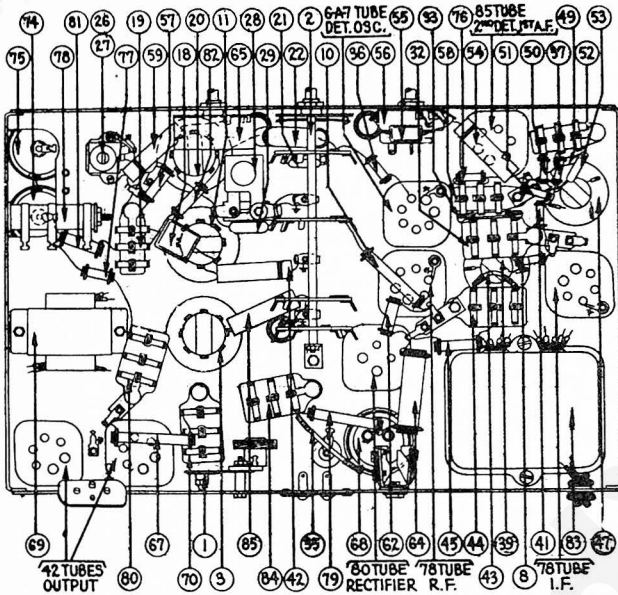
- ANT.
- GND.
- BLACK.
- RED.

1 2 3 4
 ○ ○ ○ ○
 ALL SWITCH SECTIONS SHOWN
 IN POSITION NO. 4

NUMBERS INDICATE RELATIVE POSITIONS OF SWITCH SECTIONS FROM FRONT OF CHASSIS

I.F. = 460 KC.

Replacement Parts—Model 640



Description	Part No.
28	Compensating Condenser (1st I.F. Primary)..... Part of 28
29	1st I.F. Transformer..... 31-1833
30	Compensating Condenser (1st I.F. Secondary)..... Part of 28
31	Resistor (2 Megs.) (Red-Black-Green)..... 33-1025
32	Condenser (.05 Mfd. Tubular)..... 30-4020
33	Resistor (300 ohms Flexible) (Orange-Black-Black) 33-3010
34	Condenser (.05 Mfd. Twin Bakelite Block)..... 3615-DU
35	Resistor (1000 ohms) (Brown-Black-Red)..... 5837
36	Compensating Condenser (2d I.F. Primary)..... Part of 29
37	2d I.F. Transformer..... 31-1833
38	Compensating Condenser (2d I.F. Secondary)..... Part of 29
39	Resistor (330000 ohms) (Orange-Orange-Yellow)..... 33-1200
40	Resistor (25000 ohms) (Red-Green-Orange)..... 33-1013
41	Resistor (50000 ohms) (Green-Brown-Orange)..... 6098
42	Condenser (.00025 Mfd. Bakelite Block)..... 8317-SG
43	Condenser (.00014 Mfd. Mica)..... 30-1031
44	Condenser (.05 Mfd. Tubular)..... 30-4020
45	Condenser (.00011 Mfd. Mica)..... 30-1031
46	Volume Control and On-Off Switch..... 33-5113
47	Resistor (20000 ohms) (Red-Black-Orange)..... 6650
48	Condenser (.01 Mfd. Bakelite Block)..... 3903-SU
49	Condenser (.03 Mfd. Mica)..... 30-4025
50	Condenser (in Tone Control)..... Part of 50
51	Shadow Tuning Meter..... 45-2080
52	Resistor (4000 ohms) (Yellow-Black-Red)..... 33-1040
53	Pilot Lamp (Shadow Tuning Meter)..... Part of 51
54	Resistor (16000 ohms) (Brown-Blue-Orange)..... 33-1201
55	Tone Control..... 30-4333
56	Condensers in Tone Control..... Part of 55
57	Resistor (32000 ohms) (Orange-Red-Orange)..... 3525
58	Condenser (Electrolytic) (2 Mfd., 2 Mfd., 1 Mfd.) 30-2114
59	Audio Transformer..... 32-7471
60	Condenser (.002 Mfd. Twin Bakelite Block)..... 7296-DU
61	Voice Coil & Cone Assembly { K-31..... 36-3159 H-21..... 02625 K-31..... 36-3463 H-21..... 36-3461
62	Field Coil & Pot Assembly { K-31..... 30-2025 H-21..... 30-2117
63	Condenser (8 Mfd. Electrolytic)..... 30-2117
64	Condenser (12 Mfd. Electrolytic)..... 30-2117
65	Resistor (1 Meg.) (Brown-Black-Green)..... 33-1171
66	Resistor (.5 Meg.) (Yellow-White-Yellow)..... 33-1169
67	Resistor (B.C. Wirewound, 60 Ohms, 100 Ohms)..... 33-3208
68	Resistor (20000 ohms) (Red-Black-Orange)..... 6649
69	Condenser (.09 Mfd. Twin Bakelite Block)..... 4989-DG
70	Resistor (15000 ohms) (Brown-Green-Orange)..... 6208
71	Resistor (15000 ohms) (Brown-Green-Orange)..... 6208
72	Power Transformer (115 Volts 60 Cycles)..... 32-7462
73	Condenser (.015 Mfd. Twin Bakelite Block)..... 3793-DG
74	Condenser (.05 Mfd. Tubular)..... 30-4020
	Dial Scale..... 27-5103
	Dial Hub and Set Screw Assembly..... 31-1550
	Dial Spring Clamp..... 28-2837
	Tube Shield..... 28-2726
	Tube Shield Base..... 28-2725
	Socket (4-Prong)..... 27-6034
	Socket (6-Prong)..... 27-6036
	Socket (7-Prong)..... 27-6037
	Socket (Speaker Plug)..... 27-6033
	Knob (Station Selector)..... 27-4206
	Knob (Fine Tuning)..... 27-4207
	Knob (Waveband)..... 27-4219
	Knob (Volume Control or Tone Control)..... 27-4208
	Bezel..... 28-2933
	Glass..... 27-7931
	Chassis Mtg. Screw..... W-1498
	Chassis Mtg. Washer..... 27-4198
	Chassis Mtg. Rubber Bumper..... 27-4197

Description	Part No.
1	Wave Trap..... 38-6850
2	Waveband Switch..... 42-1114
3	Antenna Transformer..... 32-1708
4	Compensating Condenser (Ant. (Police)..... Part of 3
5	Compensating Condenser (Ant. (Standard)..... Part of 3
6	Compensating Condenser (Ant. (Longwave)..... Part of 2
7	Compensating Condenser (Ant. (Shortwave)..... Part of 2
8	Resistor (.5 meg.) (Yellow-White-Yellow)..... 6097
9	Resistor (25000 ohms) (Red-Green-Yellow)..... 3656
10	R.F. Transformer..... 32-1709
11	Compensating Condenser (R.F. Longwave)..... Part of 10
12	Compensating Condenser (R.F. Broadcast)..... Part of 10
13	Compensating Condenser (R.F. Police)..... Part of 10
14	Compensating Condenser (R.F. Shortwave)..... Part of 10
15	Condenser..... Part of 10
16	Condenser..... Part of 10
17	Condenser (.0018 Mfd. Mica)..... 6018
18	Condenser (.05 Mfd. Bakelite Block)..... 3615-SG
19	Oscillator Transformer..... 32-1710
20	Condenser (.000015 Mfd. Mica)..... 30-1030
21	Condenser (.01 Mfd. Tubular)..... *30-4145
22	Compensating Condenser (Osc. S.W.)..... Part of 22
23	Compensating Condenser (Osc. Longwave)..... Part of 22
24	Compensating Condenser (Osc. B.C. & Police)..... Part of 22
25	Compensating Condenser (Osc. L.W. Series) Part of 31-6044
26	Compensating Condenser (Osc. B.C. Series) Part of 31-6044
27	Compensating Condenser (Osc. S.W. Series)..... 04000-R
28	Condenser (.0022 Mfd. Mica)..... 30-1057
29	Tuning Condenser Assembly..... 31-1555
30	Condenser (.09 Mfd. Twin Bakelite)..... 4989-DG
31	Resistor (300 ohms) (Orange-Black-Black)..... 33-3010
32	Condenser (.05 Mfd. Tubular) (On top of chassis)..... 30-4327
33	Resistor (300 ohms Flexible) (Orange-Black-Black) 33-3010
34	Resistor (50000 ohms) (Green-Brown-Orange)..... 6098
35	Resistor (2 Megs.) (Red-Black-Green)..... 33-1025

*After Run 2, this is 30-1032 Mica, List .35.